



# AGILE

Desking System

# CONTENTS



4

**AGILE FIXED HEIGHT**



6

**AGILE 2 COLUMN WINDER**



12

**AGILE 3 COLUMN ELECTRIC**



14

**AGILE 3 COLUMN ELECTRIC**



8

**AGILE 2 COLUMN ELECTRIC**



10

**AGILE 2 COLUMN ELECTRIC**



16

**AGILE CABLE MANAGEMENT**





# Agile Fixed Height



Agile Fixed Desk with Luna seating and Axis Bookcase, Agile Double Sided Desk (2 Column Electric One Side, Winder Other Side), Otto, Caddy with Toppa, E-Panel Clamp-on Screens, Motion Sync seating, Axis Mobile.



# Agile 2 Column Winder



Agile 2 Column Winder Double-Sided and Single-Sided Desks, Dual Monitor Arms, Urban Mesh Seating and featuring MotionOffice Otto, Grandstand, Cape and Loop.



# Agile 2 Column Electric





Agile 2 Column Electric Single-Sided-Desks with covered Cable Trays, Studio50 Screens, Axis Mobile and Urban Mesh seating.



# Agile 2 Column Electric



Agile 2 Column Electric Double-Sided-Desk with covered Cable Trays, Dual Monitor Arms, E-Panel Clamp-on Screens, Axis Mobile and Motion Sync seating.



# Agile 3 Column Electric



Agile 3 Column Electric Single-Sided-Desks with Urban Mesh seating.



# Agile 3 Column Electric



Agile 3 Column Electric Double-Sided-Desk with Ducted Studio50 Screens, Dual Monitor Arms, Axis Caddy with Toppa Pad, Motion Sync seating and Tambour with Planter Box.



# Agile Cable Management



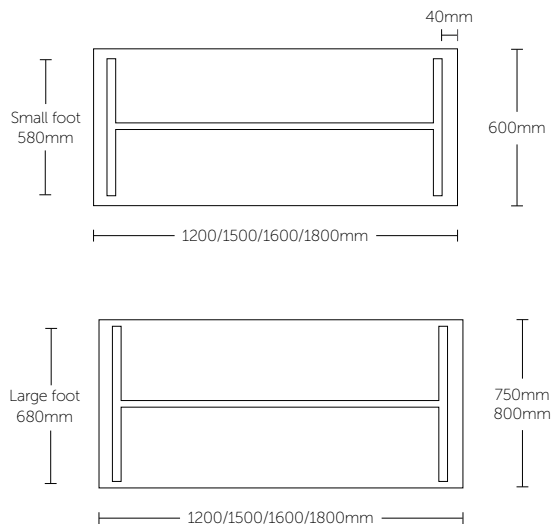


Agile 3 Column Electric Single-Sided and Double-Sided Desks with Cable Trays and Cable Cobra.

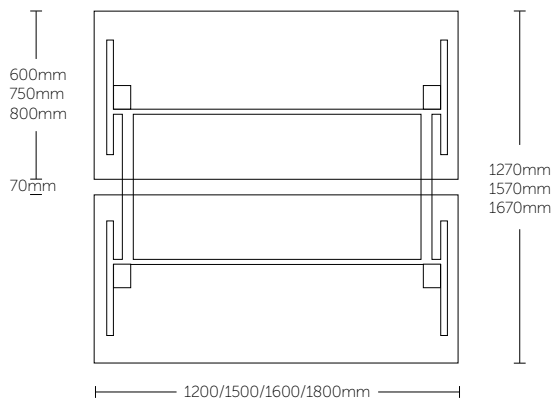
# AGILE System

## Size Guide

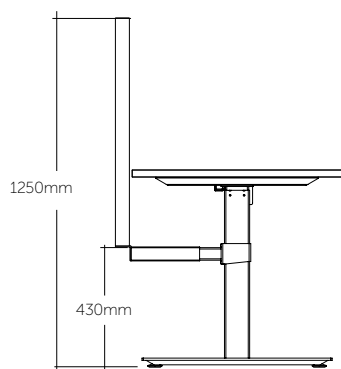
### Single-Sided Desks



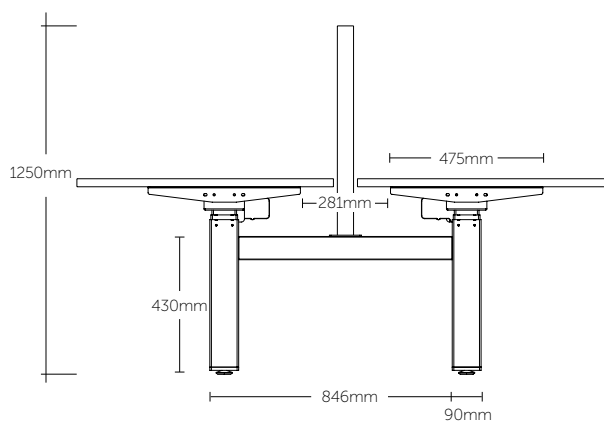
### Double-Sided Desks



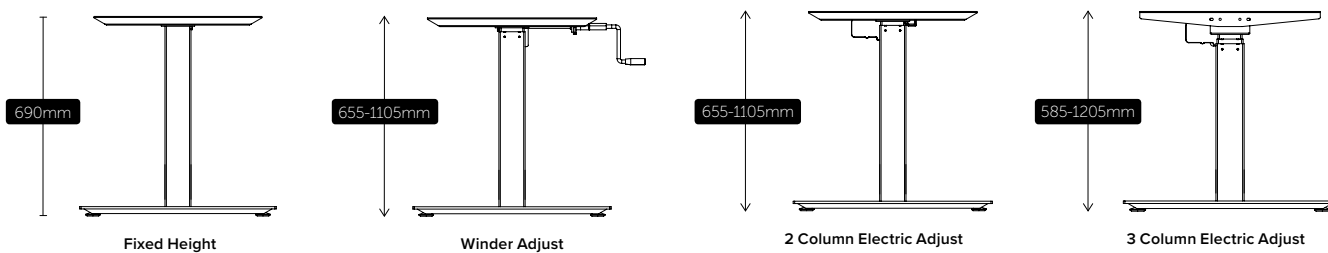
### Single-Sided Desks with Screens



### Double-Sided Desks with Screens



### Agile Height Ranges



# AGILE System

## Product Guide

### Frames:

- 90mm x 60mm legs
- Flat foot design - Single desk
- H frame design - Double sided desk
- Available in: Fixed, Winder, 2 column or 3 column Electric
- Electric & Winder Desk weight rating: 100kg
- Electric workstation weight rating: 150kg
- Fixed Height weight rating: 120kg
- Electric 3C Speed: 35mm/s & 2C Speed: 22mm/s
- Electric 3C Workstation Speed: 30mm/s
- Winder Speed: 5mm/turn
- Powdercoat finish

Powdercoat finishes available in:

White Gloss

Black Gloss

### Work Surfaces:

- 25mm E1 grade substrate
- Melamine finish
- Matching 2mm ABS edge
- Scallop cut-out in rear centre 614w x 52d (only available in some sizes)

Melamine finishes available in:

Studio White

### Studio Screens:

- Breathe or Splice fabric
- Pinnable core
- 50mm thickness
- Powdercoat frame finish

Breathe fabric available in:

Navy

Steel Blue

Royal Blue

Sky Blue

Baby Blue

Fern Green

Lime Green

Plum

Ruby Red

Tomato Red

Bright Orange

Burnt Orange

Black

Slate Grey

Alloy Grey

Camel

Powdercoat finishes available in:

White

Black

Splice fabric available in:

Black

Charcoal

Grey

Blue

Yellow

Green

Orange

Red

### Power/Data:

- Screen ducting cable management including power/data cutouts
- **EXCLUDES:** soft wire & fittings

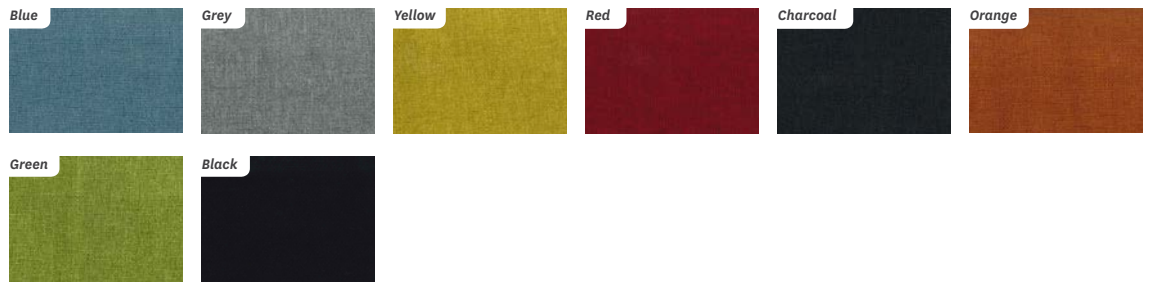


# Seating & Screen Fabric Options

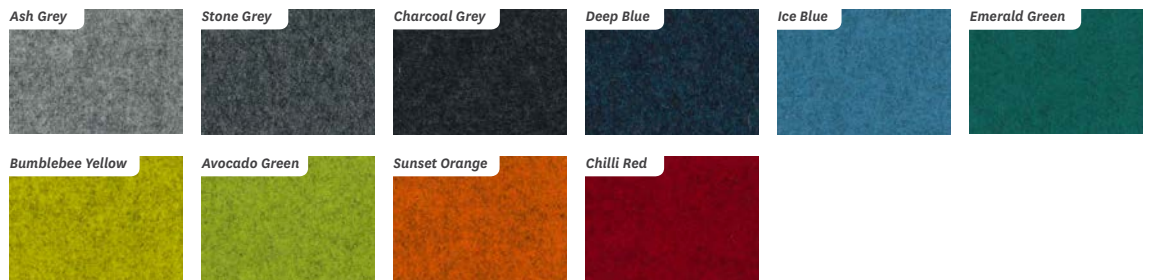
## Breathe



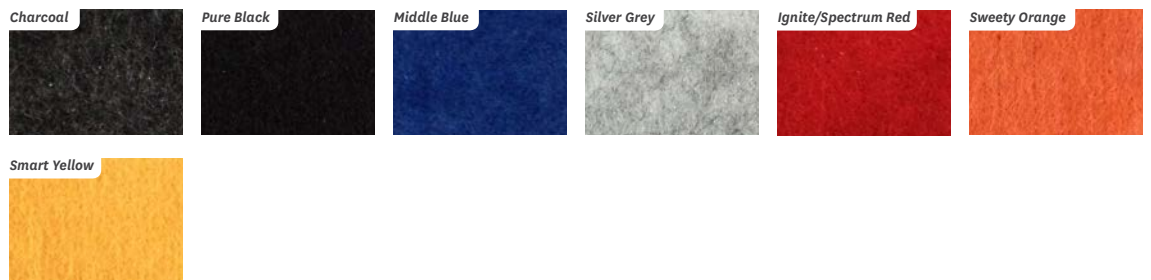
## Splice



## Motion Felt



## E-Panel



# Office Seating Solutions



**Balance Project**  
Black Fabric  
Breathe Cover



**Balance Executive**  
Black/White PU  
Breathe Cover



**Balance Task**  
Black Fabric



**Balance Visitor**  
Black Fabric



**Balance Cantilever**  
Black Fabric



**Mode Highback**  
Black or White PU



**Mode Midback**  
Black or White PU



**Mode Guest**  
Black or White PU



**Mode Cantilever**  
Black or White PU



**Metro Highback**  
Black or White PU



**Metro Midback**  
Black or White PU



**Metro Guest**  
Black or White PU



**Metro Cantilever**  
Black or White PU



**Urban Mesh**  
Breathe Black  
Motion Felt Cover



**Motion Sync**  
Breathe Black  
Motion Felt Cover



**Optic**  
Black Fabric



**Scroll**  
Black Mesh



**Scroll**  
Grey Mesh



**Adapta**  
Black Fabric



**Ozone**  
Black Fabric



**Game Chair**  
4 Leg



**Game Chair**  
Sled Base



**Game Barstool**



**Luna Chair**  
Castor Base



**Luna Chair**  
Oak Base



**Luna Barstool**  
Oak Base



**Metropol 1**  
Black PU



**Metropol 2**  
Black PU



**Jazz 1**  
Black Fabric



**Jazz 2**  
Black Fabric



**Free**  
Motion Felt



**Otto**  
Motion Felt



**Cookie**  
Breathe Fabric

# Office Desking Solutions

## Agile Desking



## Axis Desking



## Anvil Desking



## Aero Desking



## Modulus Desking



## Screens



# Office Tables & Storage Solutions

## Team Tables



3 Leg



4 Leg  
Small



4 Leg  
Large



6 Leg

## Uni Flip Tables



Uni Flip

## Modulus Tables



Flip

White frame available



5 Star



4 Star



4 Post



Fixed Leg



Collar Leg

Single Span - Single Post



Collar Leg

Double Span - Twin post

## Axis Tables



Coffee Table



Meeting Table  
Small



Meeting Table  
Large



Bar Leaner  
Single Span



Bar Leaner  
Double Span

## Anvil Bar Leaner



Bar Leaner

## Trestle Tables



Bar Leaner  
Single Span

## Personal Storage



Axis Shelf  
Desk Mounted



Mobile  
Locking



Caddy  
Locking



Toppa Pad  
Breathe Upholstery



Towers  
Locking



Filing  
Locking

## Shared Storage



Bookcase



Cupboards  
Locking



Credenza  
Locking



Lockers  
Locking



Tambour  
Locking



Planter Box

## Receptions



Axis



Axis with Pop Top



Anvil

# Activity Based Solutions

motionoffice®

## Individual



**Shell**  
1 & 2 Person



**Zip**  
1, 2, 3, 4, 5 & 6 Person



**Wave**  
2, 4 & 6 Person



**Wedge**  
Fits Shell & Zip



**Link**  
Freestanding



**Link**  
Wall Mounted

## Collaborative



**Team**



**Meeting**



**Ring**



**Disc**  
Shown with Infill



**Arc**



**Arc Low**  
3, 4 & 5



**Arc Mid**  
3, 4 & 5



**Arc High**  
3, 4 & 5



**Arc Worksurface**  
Applies to 1100mm high only



**Grandstand**  
2 Tier & 3 Tier (Straight & 90°)



**Expo**



# Activity Based Solutions

motionoffice®

## Flexible



**Wing**  
1 & 2 Person



**Fin**  
1 & 2 Person



**Cape**  
1 & 2 Person



**Canopy**



**Loop**  
Straight, Curved 60°



**Loop with Backrest**  
Straight, Curved - 60° Outer / 60° Inner / 90° Outer



**Otto**



**Coffee Table**  
Straight, Curved



**Tablet Table**



**Round Table**  
730 or 1050mm high

## Seating



**Luna Chair**  
Castor Base, Oak Base



**Luna Barstool**  
Oak Base



**Motion Sync**  
Nylon Base, Optional Arms



**Free**  
Alloy Base



# PLAN, DESIGN & BUY



**Register NOW**

**[officedesigner.net](http://officedesigner.net)**



360°

# ENTER OUR VIRTUAL SHOWROOM

[myolg.online/vrshowroom](https://myolg.online/vrshowroom)



**GET THE OLG VIRTUAL SHOWROOM EXPERIENCE**  
Contact your account manager to discuss further.





**OLG**

[info@olgoffice.com](mailto:info@olgoffice.com)

SYDNEY	02 8188 2732
MELBOURNE	03 9111 0315
BRISBANE	07 3733 1923
ADELAIDE	08 7111 0810
PERTH	08 9468 2707